

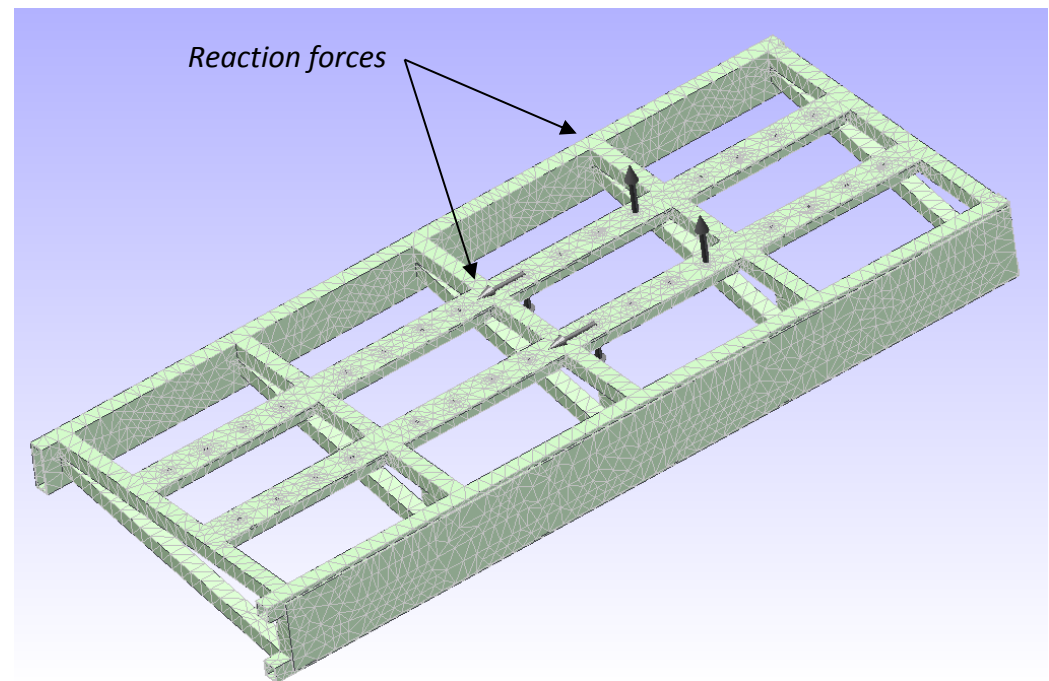
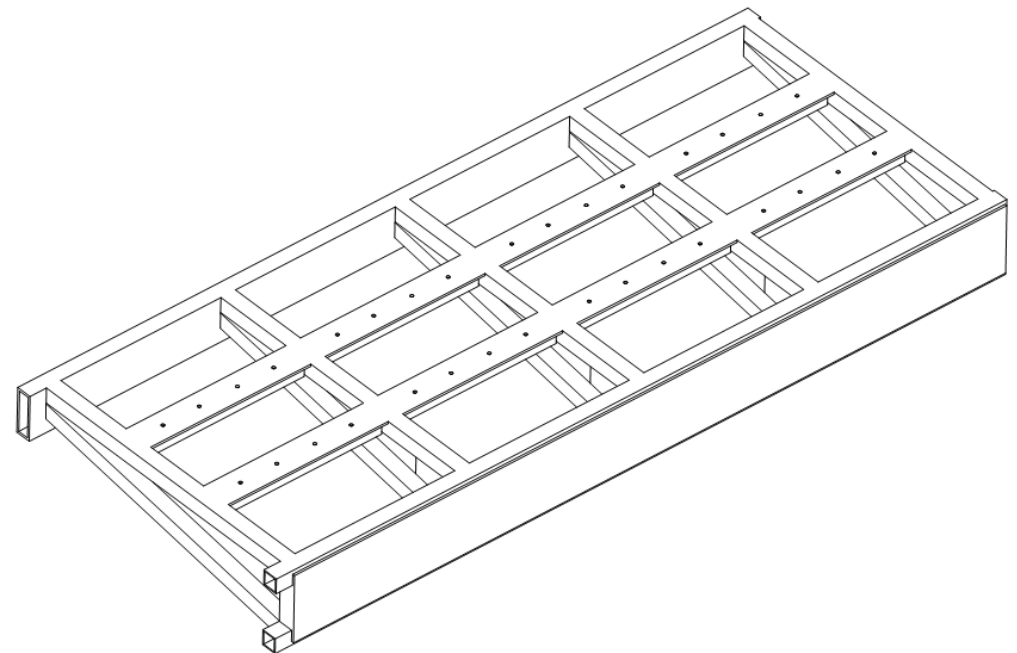
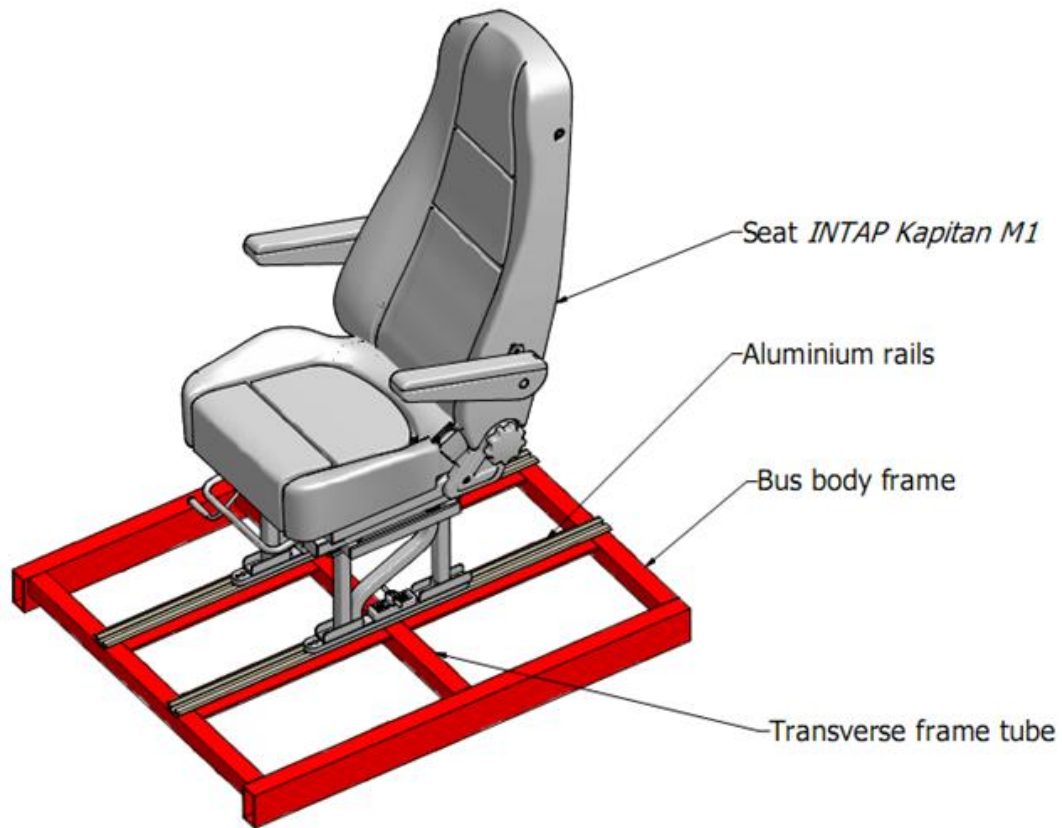
## THE PROBLEM TO SOLVE\*

Verify numerically compliance of the bus frame with the Regulation ECE14.



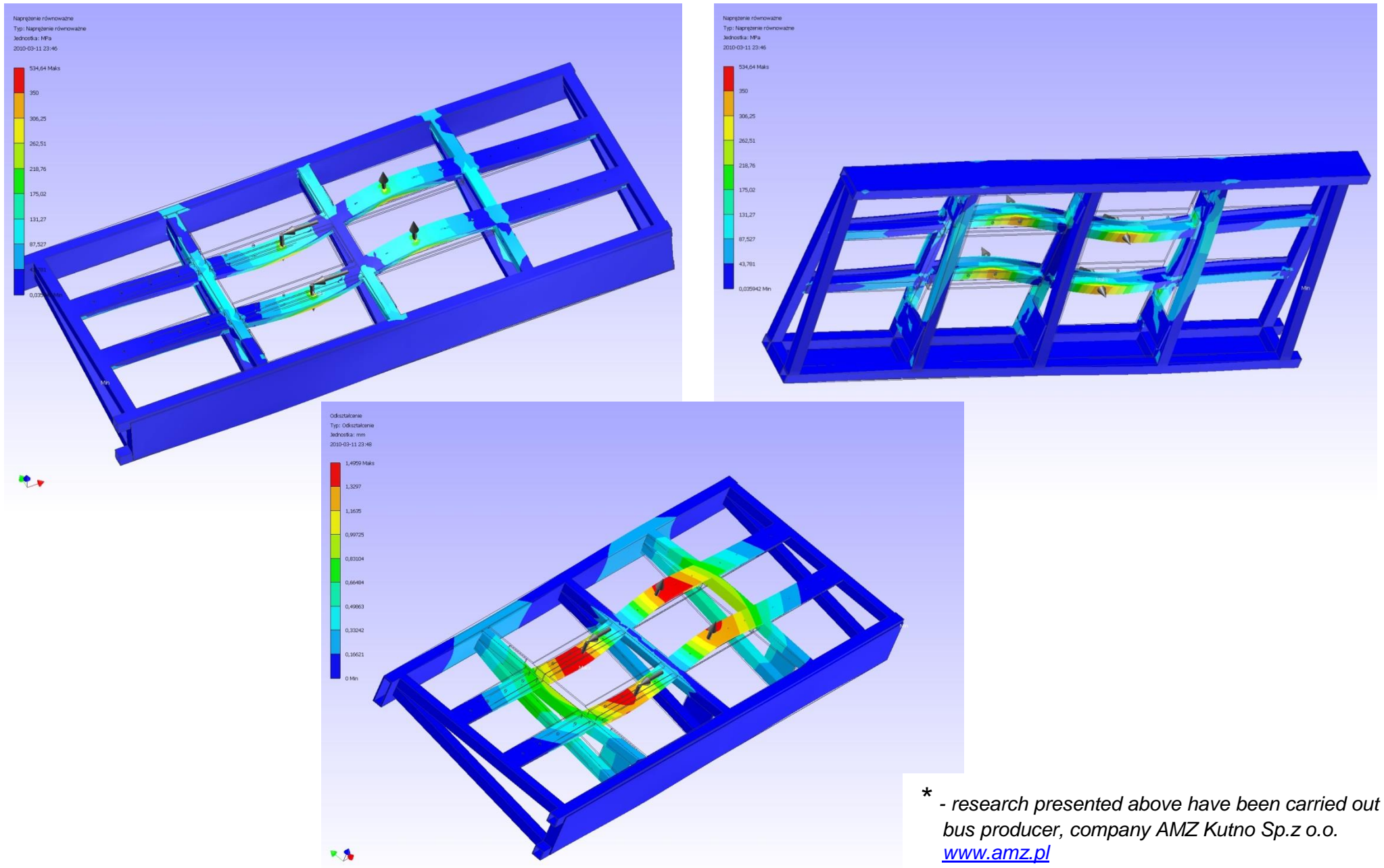
# FRAME STRENGTH VERIFICATION

The worst case - seat over the transverse frame tube



# RESULTS

Results of static FEM simulation are positive (Pic. 1 – 3). Stresses are under the ultimate strength limit. Displacements are within the acceptable range.



\* - research presented above have been carried out for bus producer, company AMZ Kutno Sp.z o.o. [www.amz.pl](http://www.amz.pl)