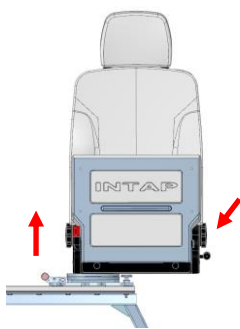


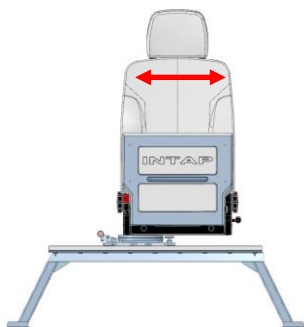
Operating instructions of sliding system type OKBeeFLEX_02



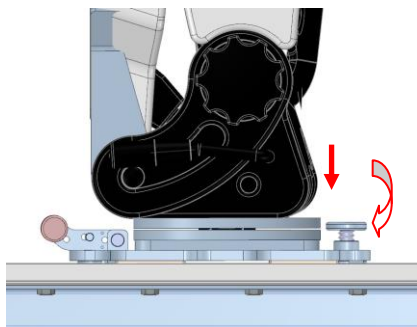
1. Adjust the seat Ambis parallel to the rails OKBeeRail_03.



2. Pull the slide lever up and lift the Ambis seat using its angle adjustment lever.

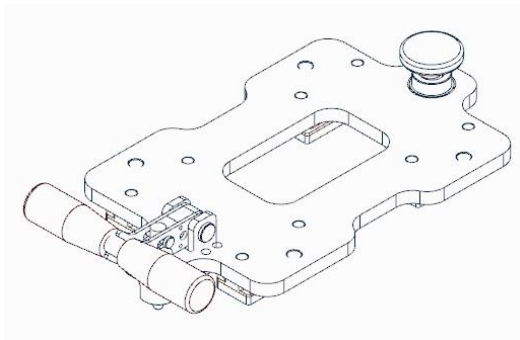


3. Adjust the seat to the target position.



Optionally, when clearance adjustment is required, use the knob, which is located at the rear of the slide system. Knob must be firmly pressed and tightened.

List of components:



The moving part - trolley (1 pcs.)



The fixed part - mounted on wheel arch (1 pcs.)

Standard parts

Bolt M10x20-10.9 with countersunk head (4 pcs.)