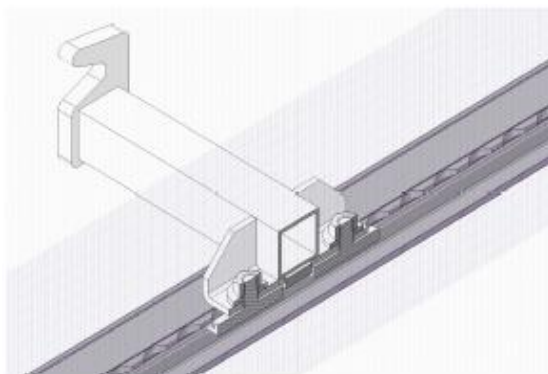
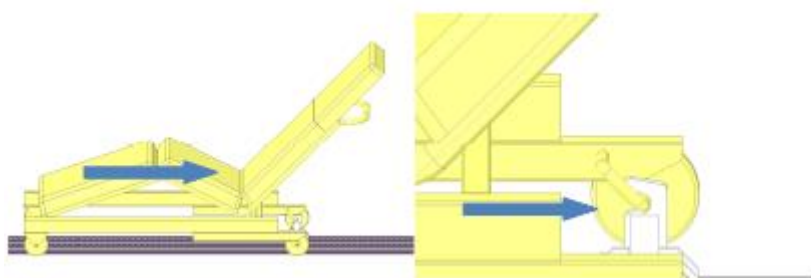


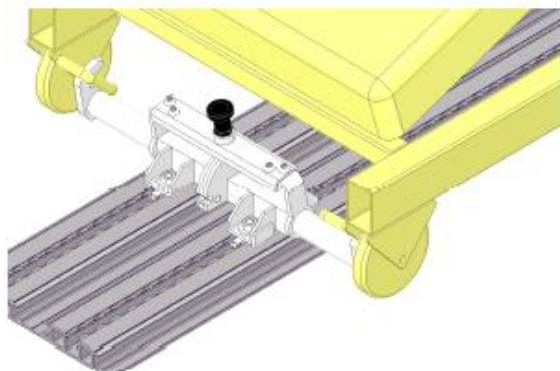
1. Place the OKBeeLOCK 02 device on the OKBeeRAIL 01 in a way that locating pin of OKBeeLOCK 02 is inside of rail's hole.



2. Tighten the OKBeeLOCK 02 device to the rail by 4 T-bars TMI-16 together with washer and M10 nut.

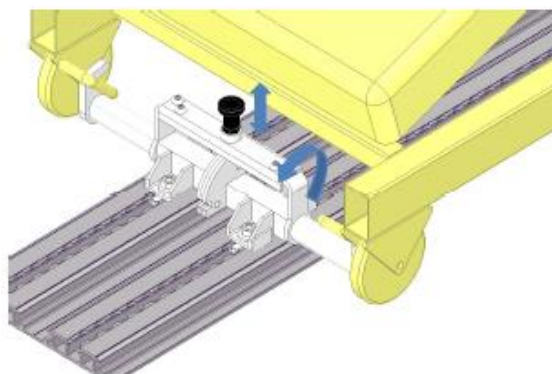


3. Move stretcher toward the OKBeeLOCK 02, so that stretcher's fastening loops meet the hooks of OKBeeLOCK 02

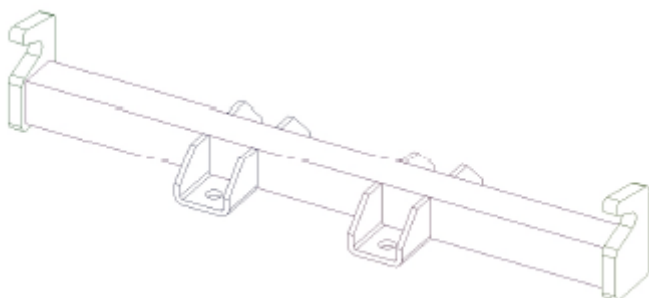
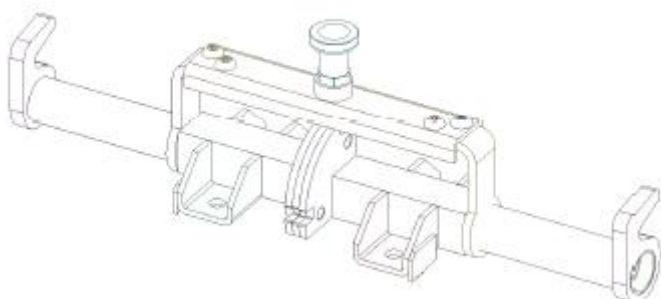
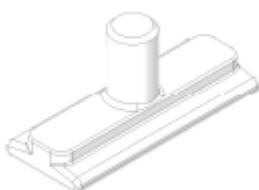


4. Prepare OKBeeLOCK 01 device in the closed position (locking device of OKBeeLOCK 01 in vertical position) Move OKBeeLOCK 01 toward the stretcher, so that stretcher's fastening loops meet the hooks of OKBeeLOCK 01.

Tighten the OKBeeLOCK 01 device to the rail by 4 T-bars TMI-16 together with washer and M10 nut.



5. Check locking device operation of OKBeeLOCK 01

Components list of Stretcher Fixation System type STR-01*OKBeeLOCK 02 device – 1 piece**OKBeeLOCK 01 device – 1 piece**T-bar TMI-16 – 8 pieces**Standardised parts**Washer 10 - 8 pieces**Nut M10 - 8 pieces***Remark:**

Stretcher Fixation System type STR-01 was tested according to requirements of norm TSFS 2010:2, Annex 3, point P2. Results are included in test report no. PL13060025